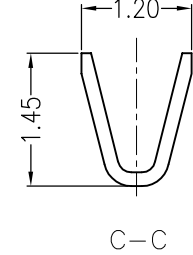
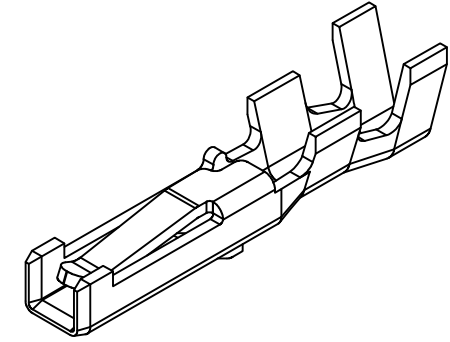
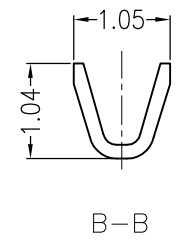
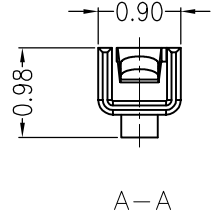
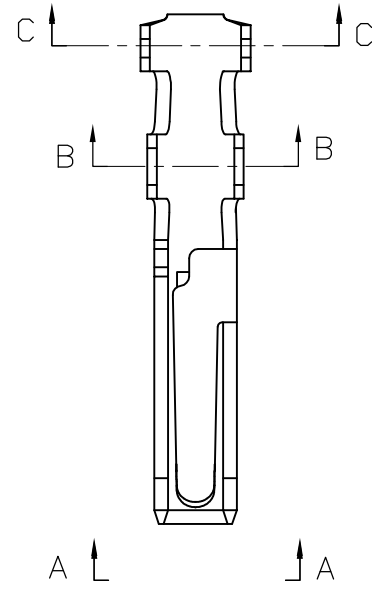
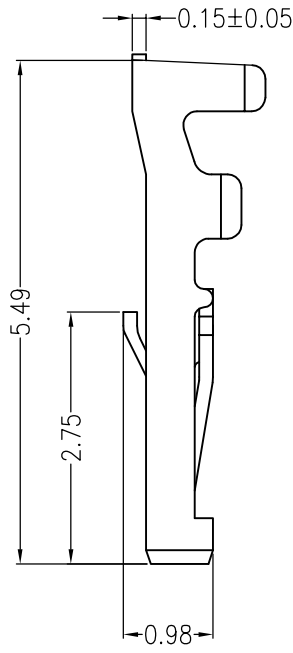


REV	ECN No.	DESCRIPTION	DESIGN	DATE
A0		Release	吴丹平	2016.06.28



Ordering Information & Specification:

Part No	Wire Range	Insulation O.D.	Material	Finish	Qty/Reel
A1254T	AWG #28~#32	0.90mm(max)	Phosphor bronze	Sn-Plated	

ITEM	COMPONENT	Q'TY	MATERIAL	FINISH
A	CONTACT	1 PCS	Phosphor bronze	Sn-Plated

JKUN 温州健坤接插件有限公司 WENZHOU JKUN CONNECTOR CO.,LTD.			TITLE: -	
X.±0.5	X.±5'	USE: CUSTOMER	PART NO.: A1254T	
.X±0.3	.X±2'	APPD: 邵敬和	DWG NO.: JKUN-GCDZ-0052	
.XX±0.25	.XX±1'	CHKD: 田峰	SCALE 1 : 1	
--	--	DR: 蒋建银	SHEET 1 / 1	