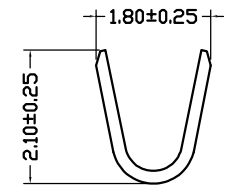
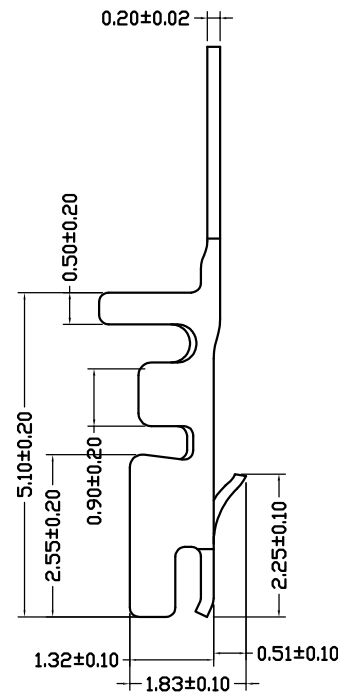
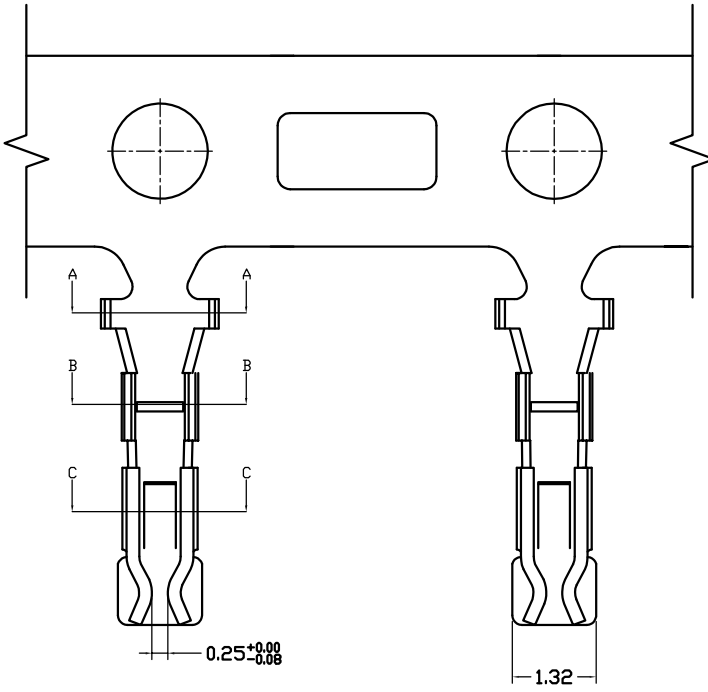
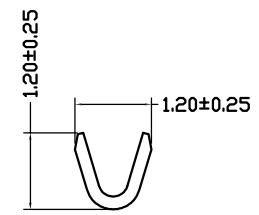


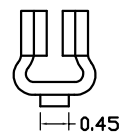
REV	ECN No.	DESCRIPTION	DESIGN	DATE
A0		Release	蒋建银	2018.01.10



SECTION A-A



SECTION B-B



SECTION C-C

Ordering Information & Specification:

Part No	Wire Range	Insulation O. D.	Material	Finish	Qty/Reel
A1801T-PA	AWG #26~#32	1.30mm(MAX)	Phosphor bronze	Tin-plated	/

<b>JKUN 温州健坤接插件有限公司</b> <b>WENZHOU JKUN CONNECTOR CO., LTD.</b>			TITLE: 适用1802		
X.±0.5	X.±5'	USE: CUSTOMER	PART NO.:		
.X±0.3	.X±2'		A1801T-PA		
.XX±0.25	.XX±1'	APPD: 邵敬和	DWG NO.:		
--	--	CHKD: 田峰	JKUN-GCDZ-0086		
⊕	◁	UNITS: mm	DR: 蒋建银	SCALE 1 : 1	SHEET 1 / 1