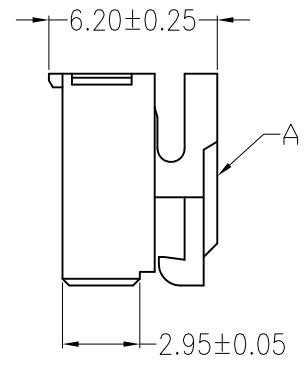
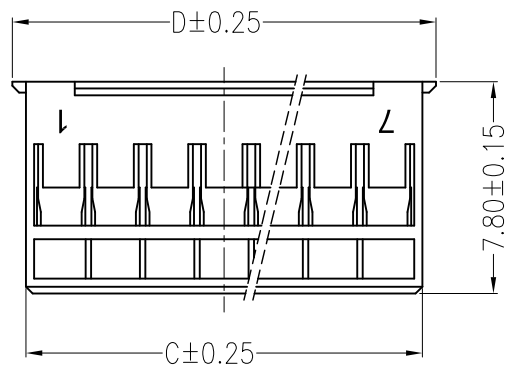
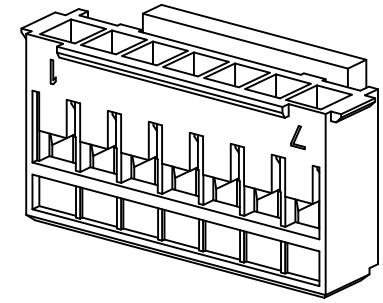
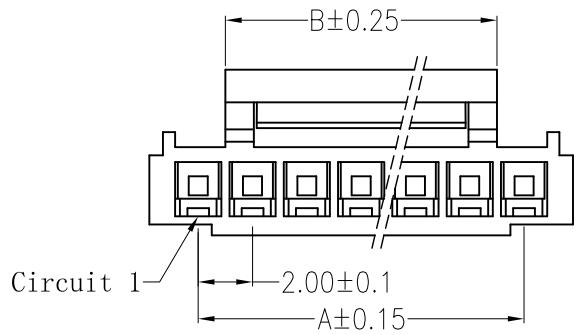


REV	ECN No.	DESCRIPTION	DESIGN	DATE
A0		Release	吴丹平	2017.03.23



主要技术参数 Main Specifications

- 线 数 (Poles): 02 to 15
- 接触电阻 (Contact resistance): $\leq 20\text{m}\Omega$
- 绝缘电阻 (Insulation resistance): $\geq 1000\text{M}\Omega$
- 额定电压 (Rated voltage): 250V AC DC
- 额定电流 (Rated current): 2.0A AC DC
- 耐 电 压 (Withstand Voltage): 1000V AC/minute
- 温度范围 (Temperature Range): $-25^{\circ}\text{C} \sim +85^{\circ}\text{C}$

ORDER INFORMATION:

A2002Y--A5W-P**

PART No.	PACKAGING:
No. OF CIRCUITS:	P=PE
02~15	PLASTIC MATERIAL:
	A5W=PA66 (WHITE)

Circuits	Dimensions (mm)				Circuits	Dimensions (mm)			
	A	B	C	D		A	B	C	D
02	2.00	3.20	4.60	5.60	09	16.00	14.20	18.60	19.60
03	4.00	4.00	6.60	7.60	10	18.00	12.20	20.60	21.60
04	6.00	5.00	8.60	9.60	11	20.00	14.20	22.60	23.60
05	8.00	6.20	10.60	11.60	12	22.00	16.20	24.60	25.60
06	10.00	8.20	12.60	13.60	13	24.00	18.20	26.60	27.60
07	12.00	10.20	14.60	15.60	14	26.00	20.20	28.60	29.60
08	14.00	12.20	16.60	17.60	15	28.00	22.20	30.60	31.60

C	B	A	ITEM	COMPONENT	Q'TY	MATERIAL	FINISH
		HOUSING			1 PCS	PA66	COLOR:BEIGE
<p>JKUN 温州健坤接插件有限公司 WENZHOU JKUN CONNECTOR CO., LTD.</p>							
<p>X.±0.5 X.±5' USE: CUSTOMER</p>							PART NO.:
<p>.X±0.3 .X±2' APPD: 邵敬和</p>							A2002Y-**-A5W-P
<p>.XX±0.25 .XX±1' CHKD: 田峰</p>							DWG NO.:
<p>-- -- DR: 吴丹平</p>							JKUN-GCCP-0532
<p>UNITS: mm</p>						SCALE	SHEET
						1 : 1	1 / 1