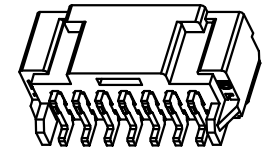
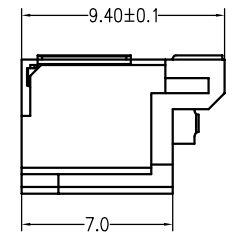
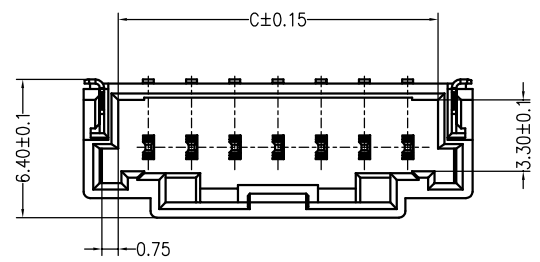
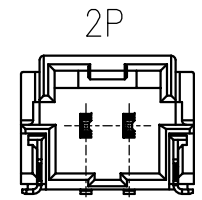
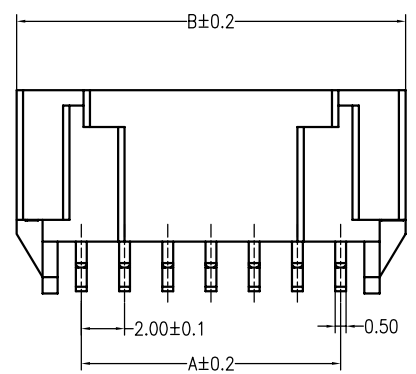
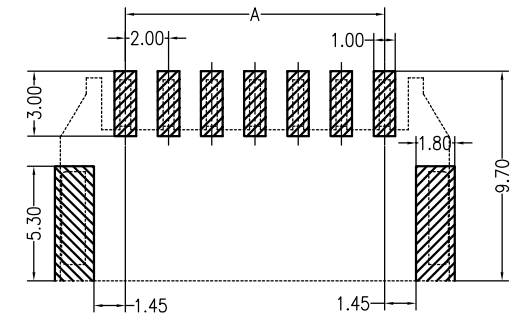


REV	ECN No.	DESCRIPTION	DESIGN	DATE
A0		Release	-	2018.08.03



PCB LAYOUT

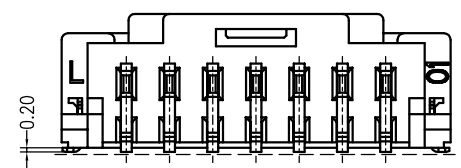
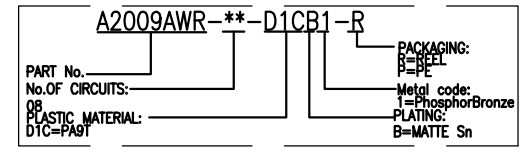


PIN.	DIM A	DIM B	DIM C
2pin	2.00	8.00	4.80
3pin	4.00	10.00	6.80
4pin	6.00	12.00	8.80
5pin	8.00	14.00	10.80
6pin	10.00	16.00	12.80
7pin	12.00	18.00	14.80
8pin	14.00	20.00	16.80
9pin	16.00	22.00	18.80
10pin	18.00	24.00	20.80
11pin	20.00	26.00	22.80
12pin	22.00	28.00	24.80
13pin	24.00	30.00	26.80
14pin	26.00	32.00	28.80
15pin	28.00	34.00	30.80

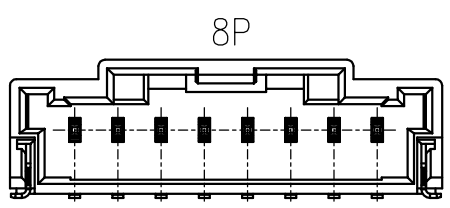
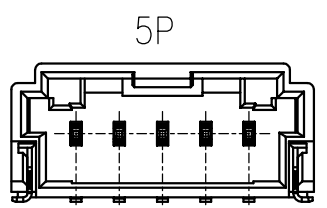
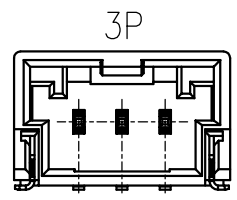
主要技术参数 Main Specifications

- 线 数 (Poles): 02 to 15
- 接触电阻 (Contact resistance): $\leq 10m\Omega$
- 绝缘电阻 (Insulation resistance): $\geq 1000M\Omega$
- 额定电压 (Rated voltage): 125V AC DC
- 额定电流 (Rated current): 3.0A AC DC
- 耐电压 (Withstand Voltage): 500V AC/minute
- 温度范围 (Temperature Range): $-40^{\circ}C \sim +105^{\circ}C$

ORDER INFORMATION:



0.1



ITEM	COMPONENT	Q'TY	MATERIAL	FINISH
C	SOLDER TAB	2 PCS	PhosphorBronze	MATTE Sn-plated
B	CONTACT	2~15 PCS	PhosphorBronze	MATTE Sn-plated
A	HOUSING	1 PCS	PA9T	UL 94V-0, COLOR:BEIGE

JKUN 温州健坤接插件有限公司
WENZHOU JKUN CONNECTOR CO., LTD.

TITLE: A2009AWR
2.00mmPITCH 90°WAFER SMT TYPE

X.±0.5	X.±5'	USE: CUSTOMER	PART NO.: A2009AWR-**-D1CB1-R	
.X±0.3	.X±2'			APPD: 邵敬和
.XX±0.25	.XX±1'			CHKD: 田峰
--	--			DR: 蒋建银
UNITS: mm		SCALE 1 : 1	SHEET 1 / 1	