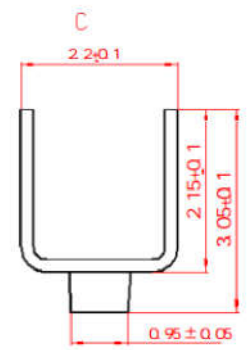
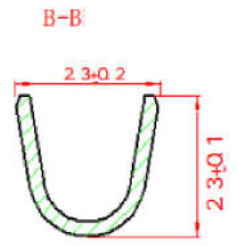
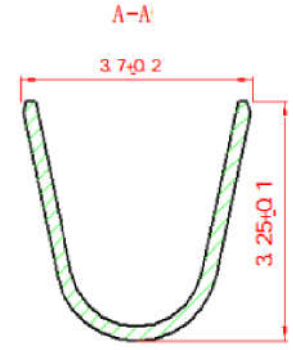
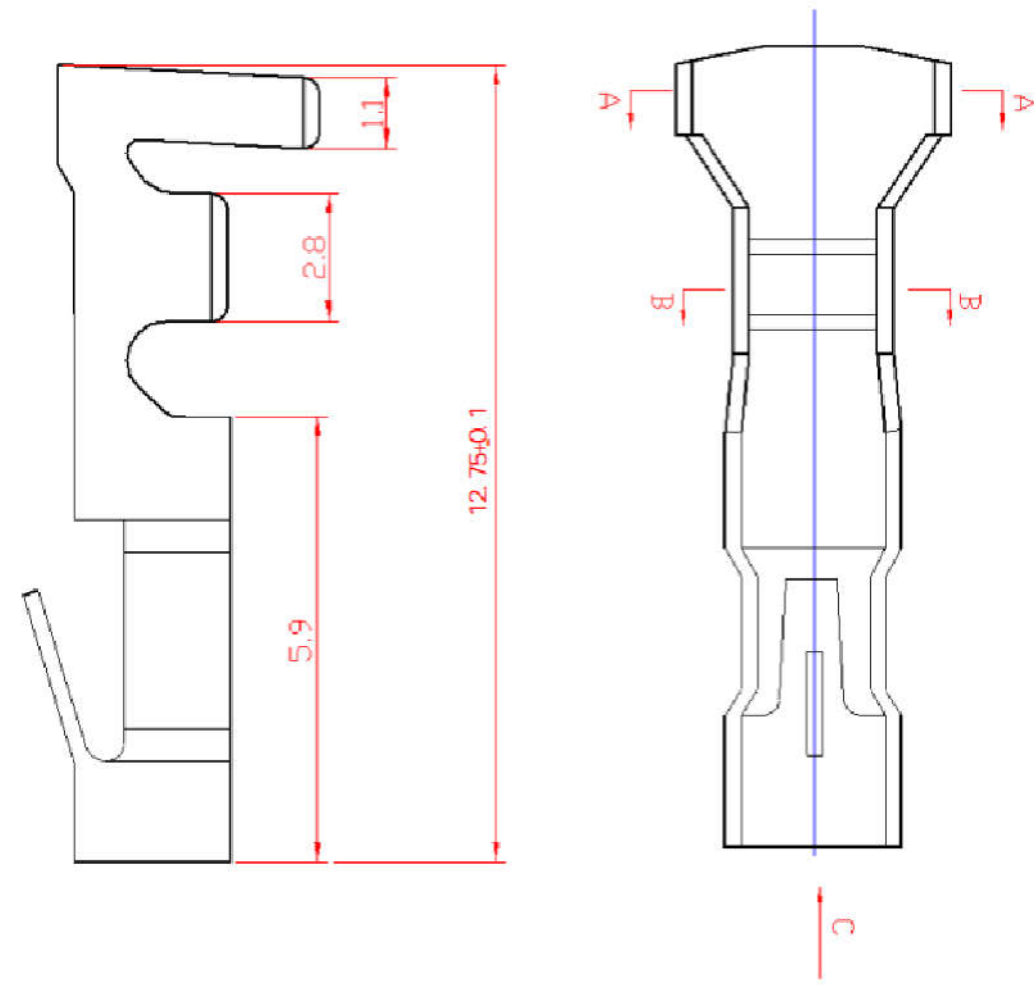


REV	ECN No.	DESCRIPTION	DESIGN	DATE
A0		Release	蒋建银	2018.05.24



Ordering Information & Specification:

Part No	Wire Range	Insulation O.D.	Material	Finish	Qty/Reel
A7501T-02端子	AWG #20~#26	1.3~2.7mm	Phosphor bronze	Sn-plated	6000 pcs

JKUN 温州健坤接插件有限公司 WENZHOU JKUN CONNECTOR CO.,LTD.		TITLE: TJC2 端子 -	
X.±0.1	X.±1'	USE: MANUFACTURE	PART NO.: A7501T-02端子
.X±0.05	.X±0.5'	APPD: 谭龙清	DWG NO.: JKUN-GCDZ-0076
.XX±0.01	.XX±0.1'	CHKD: 田峰	SCALE 1 : 1
.XXX±0.005	.XXX±0.05'	DR: 蒋建银	SHEET 1 / 1