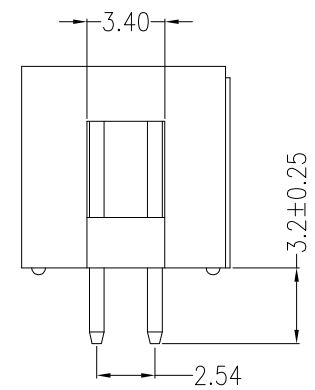
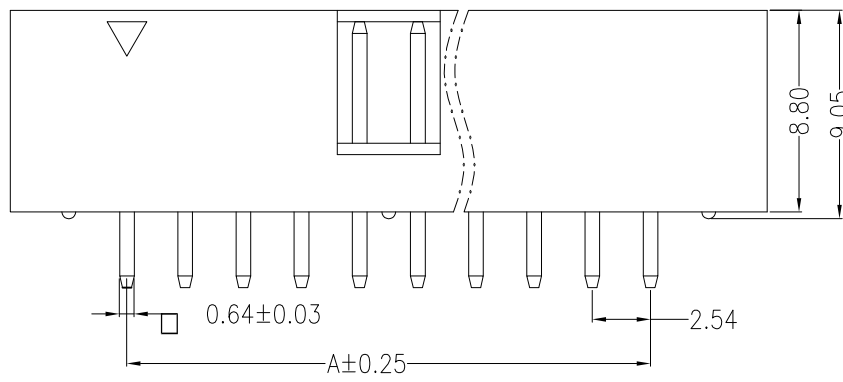
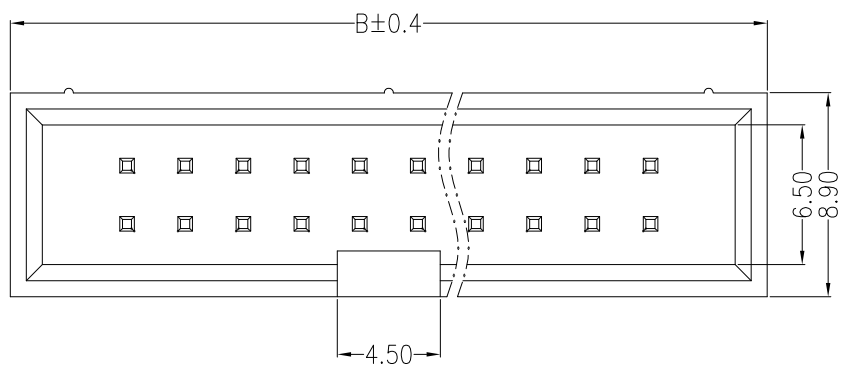


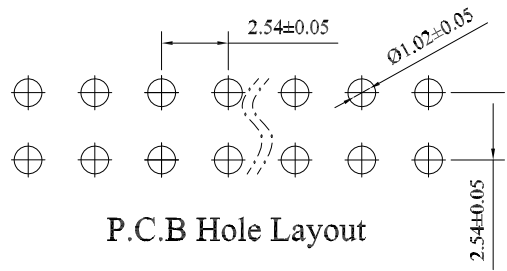
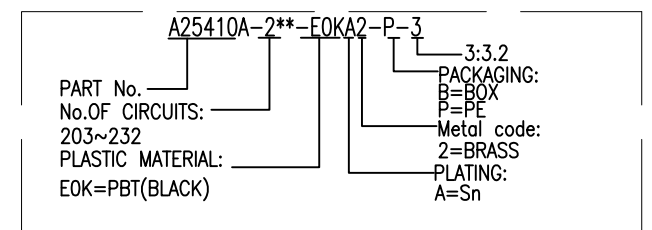
REV	DESCRIPTION	DESIGN	DATE
A0	NEW RELEASE		2018/06/09



Specifications:

Contact resistance: ≤20mΩ
 Insulation resistance: ≥1000MΩ
 Rated voltage: 250V AC DC
 Rated current: 3.0A AC DC
 Withstand Voltage: 600V AC/minute
 Temperature Range: -40°C ~ +105°C
 Housing: PBT UL94V-0, BLACK
 Contacts: Brass/Sn-plated

ORDER INFORMATION:



No. of Pins/Row	Dimension	
	A	B
203	5.08	15.27
204	7.62	17.81
205	10.16	20.35
206	12.70	22.89
207	15.24	25.43
208	17.78	27.97
209	20.32	30.51
210	22.86	33.05
212	27.94	38.13
213	30.48	40.67
215	35.56	45.75
217	40.64	50.83
220	48.26	58.45
225	60.96	71.15
230	73.66	83.85
232	78.74	88.93
~	~	~

JKUN 温州健坤接插件有限公司
 WENZHOU JKUN CONNECTOR CO.,LTD.

TITLE: A25410A-2**-03P
 筒牛2.54

GENERAL TOLERANCE		USE:
X. ±0.50	X. ±5'	CUSTOMER
X.X ±0.30	X.X ±2'	APPD: 邵敬和
X.XX ±0.20	X.XX ±1'	CHKD: 曾令青
	UNITS: mm	DR: 蒋建银

PART NO.: A25410A-2**-EOKA2-P-3	
DWG NO.: -	
SCALE: 1 : 1	SHEET: 1 / 1