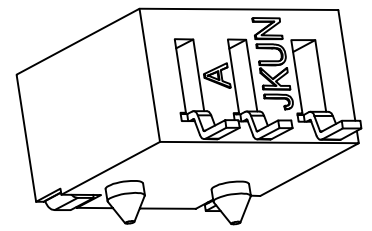
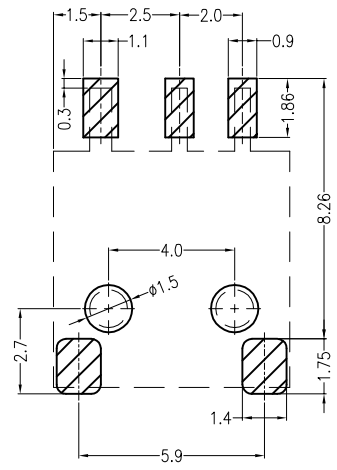
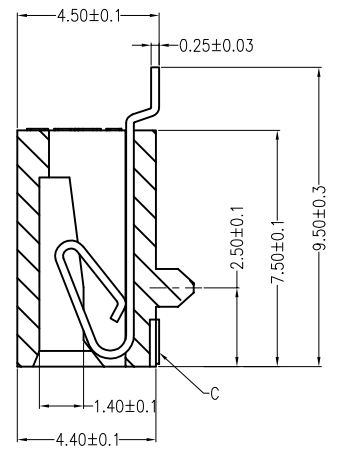
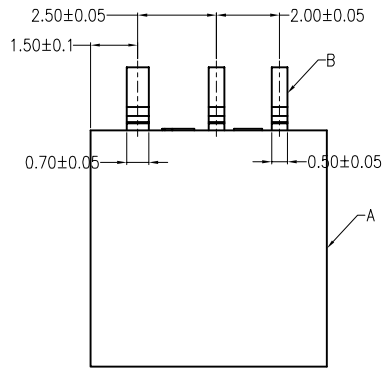


REV	DESCRIPTION	DESIGN	DATE
A0	Release	吴丹平	2016.04.30

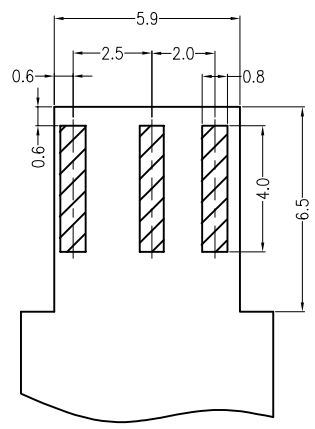
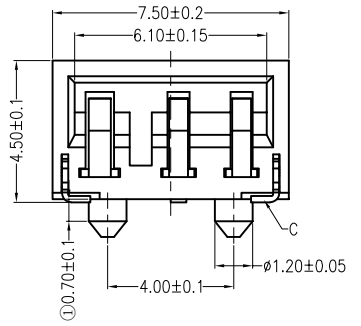
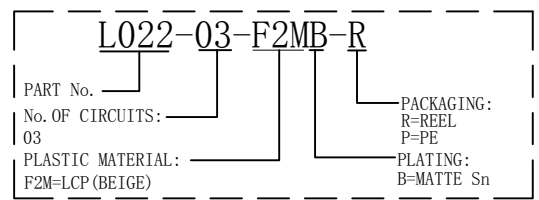


Board Layout

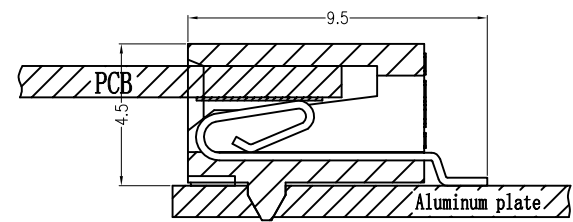
主要技术参数 Main Specifications

- 板厚 (thickness): 1.0mm
- 接触电阻 (Contact resistance):  $\leq 20m\Omega$
- 绝缘电阻 (Insulation resistance):  $\geq 800M\Omega$
- 额定电压 (Rated voltage): 250/150V AC DC
- 额定电流 (Rated current): 1.0A AC DC
- 耐电压 (Withstand Voltage): 1500V AC/minute
- 温度范围 (Temperature Range):  $-25^{\circ}C \sim +105^{\circ}C$

ORDER INFORMATION:



Mating Aluminum plate detail



Assembly Layout

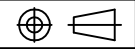
C	Solder Tab	2 PCS	PhosphorBronze	MATTE Sn-plated
B	CONTACT	3 PCS	PhosphorBronze	MATTE Sn-plated
A	PEDESTAL	1 PCS	LCP	UL 94V-0, COLOR:BEIGE
ITEM	COMPONENT	Q'TY	MATERIAL	FINISH

**JKUN** 温州健坤接插件有限公司  
WENZHOU JKUN CONNECTOR CO., LTD.

TITLE: -  
2.5/2.0mmPITCH 90°WAFER SMT TYPE

X.±0.5	X.±5'	USE: CUSTOMER	PART NO.: L022-03-F2MB-R	
.X±0.3	.X±2'			APPD: 邵敬和
.XX±0.25	.XX±1'			
--	--			DR: 蒋建银

SCALE 1 : 1	SHEET 1 / 1
----------------	----------------



UNITS:  
mm