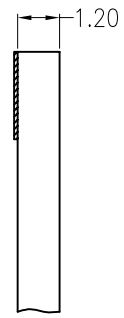
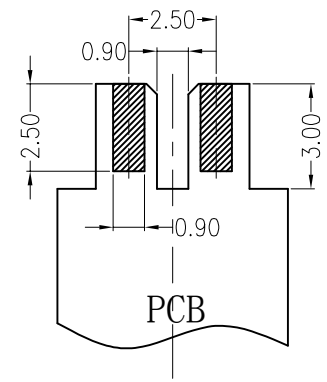
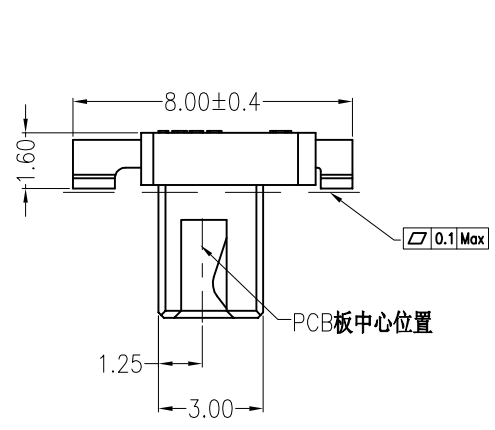
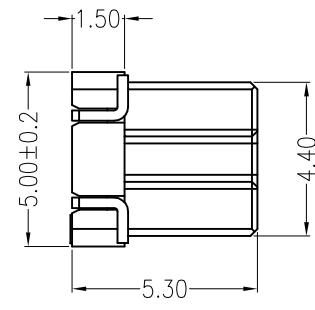
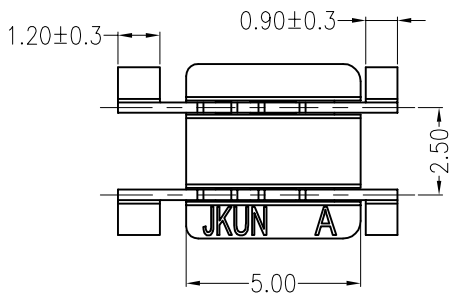
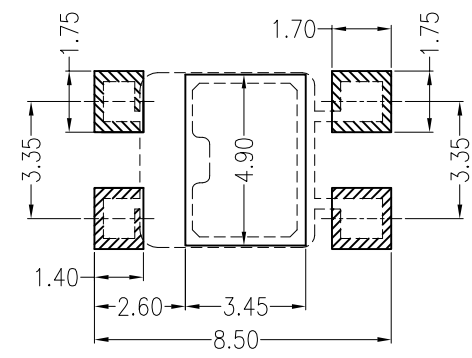
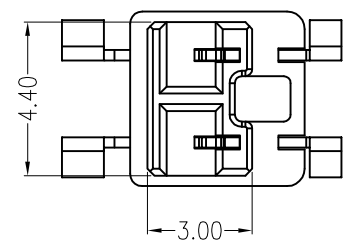


REV	ECN No.	DESCRIPTION	DESIGN	DATE
A0		Release	李润	2014.04.16



Mating PCB detail

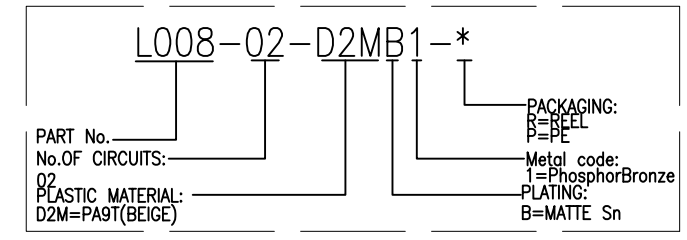


Board Layout

主要技术参数 Main Specifications

- 板厚 (thickness): 1.2mm
- 接触电阻 (Contact resistance): $\leq 20m\Omega$
- 绝缘电阻 (Insulation resistance): $\geq 800M\Omega$
- 额定电压 (Rated voltage): 125V AC DC
- 额定电流 (Rated current): 1.0A AC DC
- 耐电压 (Withstand Voltage): 800V AC/minute
- 温度范围 (Temperature Range): $-40^{\circ}C \sim +105^{\circ}C$

ORDER INFORMATION:



ITEM	COMPONENT	Q'TY	MATERIAL	FINISH
C				
B	CONTACT	2 PCS	PhosphorBronze	Tin-plated
A	HOUSING	1 PCS	PA9T	UL 94V-0, COLOR:BEIGE

JKUN 温州健坤接插件有限公司 WENZHOU JKUN CONNECTOR CO.,LTD.			TITLE: L008-02-1* 2.5Pitch 180°wafer smt type	
X.±0.5	X.±5°	USE: CUSTOMER	PART NO.:	
.X±0.3	.X±2°		L008-02-D2MB1-*	
.XX±0.25	.XX±1°	APPD: 邵敬和	DWG NO.:	
--	--	CHKD: 田峰	JKUN-GCCP-0017	
UNITS: mm		DR: 吴丹平	SCALE 1 : 1	SHEET 1 / 1